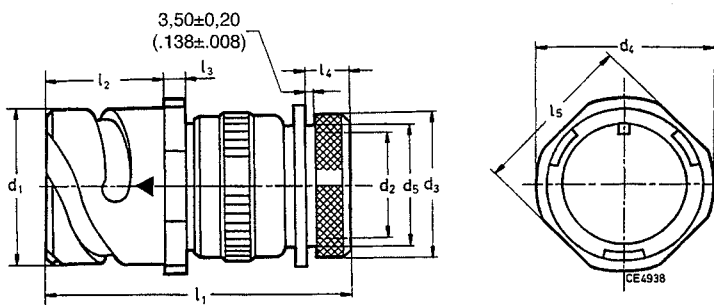


Straight Plug

CA3101E-B, -02, -03 or -06 designates a cable connection plug with adapter for heat shrinkable boots

CA3101E-B and Modifications

Modifications see page 10



Dimensions in mm

Cannon Part No.	d ₁ -0,15	d ₂ ²⁾ min	d ₃ ±0,2	d ₄ max	d ₅ max	l ₁ max	l ₂ +0,4	l ₃ ±0,2	l ₄ ±0,5	l ₅	Weight ¹⁾ g max
CA3101E10SL-**-B-***	18,20	7,70	15,50	25,20	13,30	57,00	18,20	2,80	±11,70	20,60	35
CA3101E12S-**-B-***	21,40	7,90	15,50	27,80	13,30	57,00	18,20	3,20	±11,70	23,60	45
CA3101E14S-**-B-***	24,60	10,60	19,10	29,80	17,00	57,00	18,20	3,20	±11,70	25,40	50
CA3101E16S-**-B-***	27,40	13,50	23,90	32,30	21,90	57,00	18,20	3,20	±11,70	28,60	60
CA3101E16-**-B-***	27,40	13,50	23,90	32,30	21,90	63,00	21,50	3,20	±11,50	28,60	65
CA3101E18-**-B-***	30,80	14,60	23,90	34,80	21,90	65,00	23,05	4,00	±11,50	31,70	80
CA3101E20-**-B-***	34,20	18,70	29,60	37,80	26,20	68,00	23,05	4,00	±12,70	34,90	95
CA3101E22-**-B-***	37,40	20,80	29,60	41,10	26,20	68,00	23,05	4,00	±12,70	38,10	105
CA3101E24-**-B-***	40,90	24,60	37,80	44,60	34,50	70,00	23,05	4,00	±12,70	41,30	140
CA3101E28-**-B-***	46,70	27,00	37,80	50,90	34,50	71,00	24,05	4,00	±12,70	47,60	160
CA3101E32-**-B-***	53,40	33,30	47,80	57,10	43,60	74,00	24,05	4,00	±15,20	54,00	205
CA3101E36-**-B-***	59,60	38,50	47,80	63,60	43,60	74,00	24,05	4,00	±15,20	60,60	270

Dimensions in inches

Cannon Part No.	d ₁ -.006	d ₂ ²⁾ min	d ₃ ±.008	d ₄ max	d ₅ max	l ₁ max	l ₂ +.016	l ₃ ±.008	l ₄ ±.020	l ₅	Weight ¹⁾ g max
CA3101E10SL-**-B-***	.717	.303	.610	.992	.524	2.244	.717	.110	.416	.811	35
CA3101E12S-**-B-***	.843	.311	.610	1.094	.524	2.244	.717	.126	.416	.929	45
CA3101E14S-**-B-***	.969	.417	.752	1.173	.669	2.244	.717	.126	.416	1.000	50
CA3101E16S-**-B-***	1.079	.531	.941	1.272	.862	2.244	.717	.126	.416	1.126	60
CA3101E16-**-B-***	1.079	.531	.941	1.272	.862	2.480	.846	.126	.453	1.126	65
CA3101E18-**-B-***	1.213	.575	.941	1.370	.862	2.559	.907	.157	.453	1.248	80
CA3101E20-**-B-***	1.346	.736	.165	1.488	1.031	2.677	.907	.157	.500	1.374	95
CA3101E22-**-B-***	1.472	.819	.165	1.618	1.031	2.677	.907	.157	.500	1.500	105
CA3101E24-**-B-***	1.610	.969	1.488	1.756	1.358	2.756	.907	.157	.500	1.626	140
CA3101E28-**-B-***	1.839	1.063	1.488	2.004	1.358	2.795	.947	.157	.500	1.874	160
CA3101E32-**-B-***	2.102	1.311	1.882	2.248	1.717	2.913	.947	.157	.598	2.126	205
CA3101E36-**-B-***	2.346	1.516	1.882	2.504	1.717	2.913	.947	.157	.594	2.386	270

¹⁾ Weight without insulator, grommets and contacts.

²⁾ For max. cable entry.